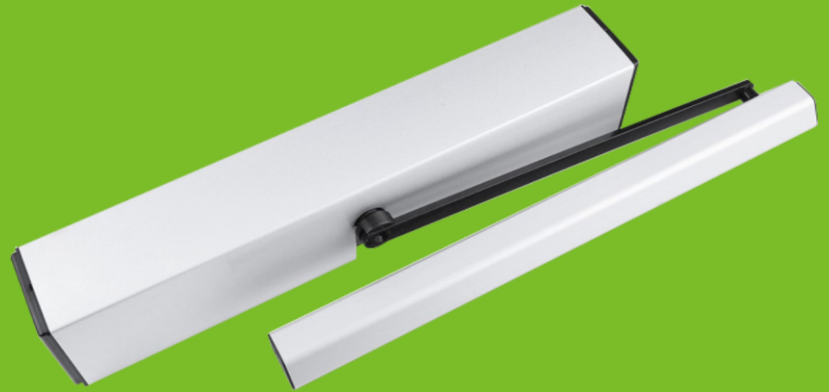




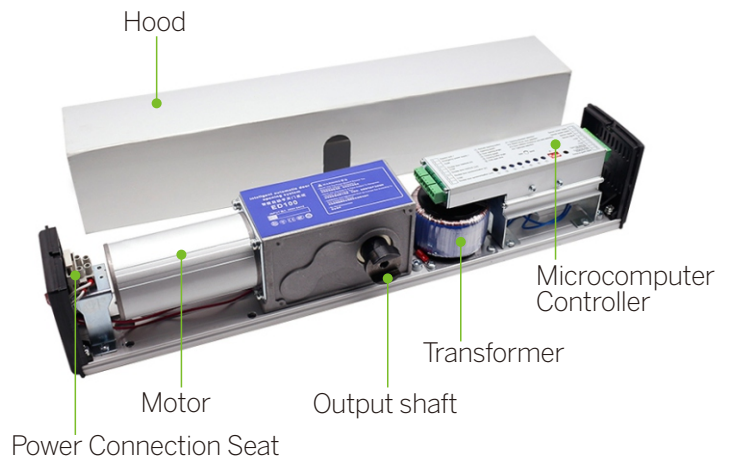
# Automatic Swing Door Operator



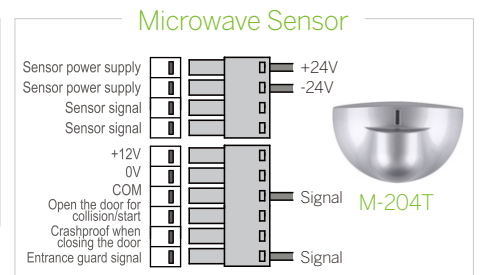
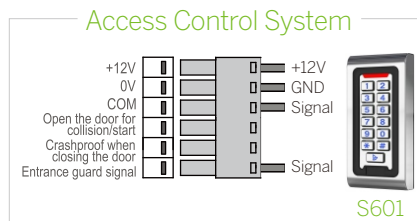
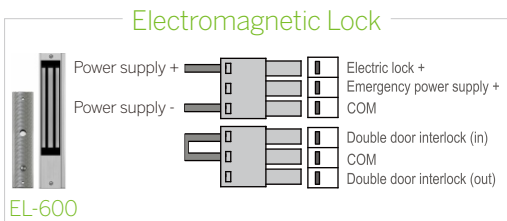
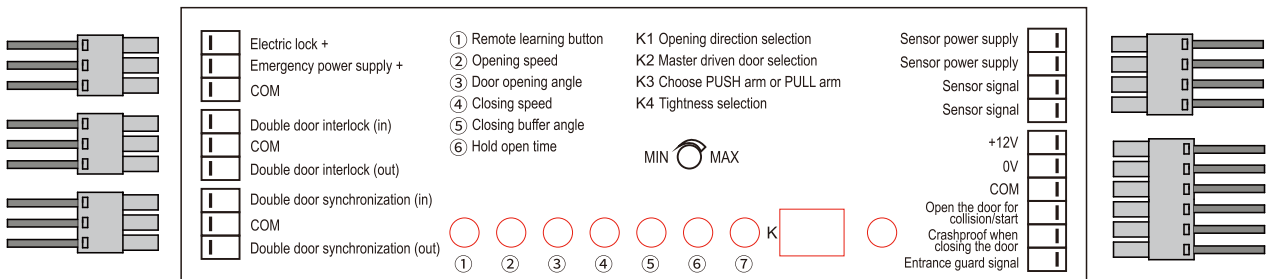
ED100

## Specifications

Power supply	110V or 220V-240V
Opening time	3~7s / 90°
Opening and holding time	1-30s
Temperature	-20°C~55°C
Protection level	IP12D
Dimensions	516x105x82mm
Packing box	626x197x152mm
Weight	8.5kg

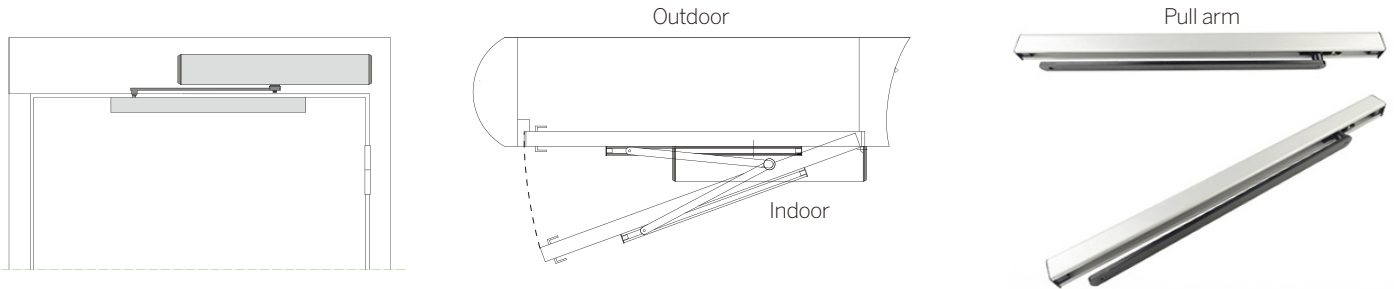


## Microcomputer Controller

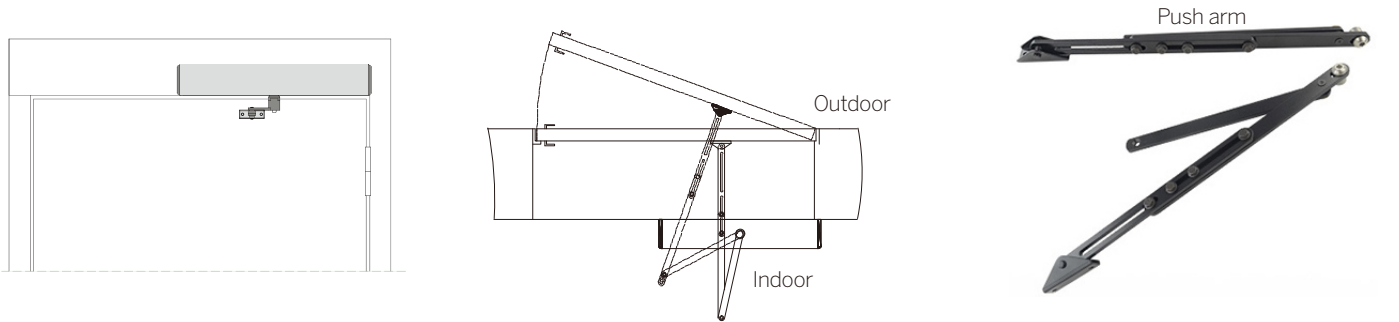


## Installation mode

Pull-arm mounting: Suitable for door wing opening inward (drive system inside)



Push Arm Installation: Suitable for door wing opening outward (drive system inside)



## Accessories

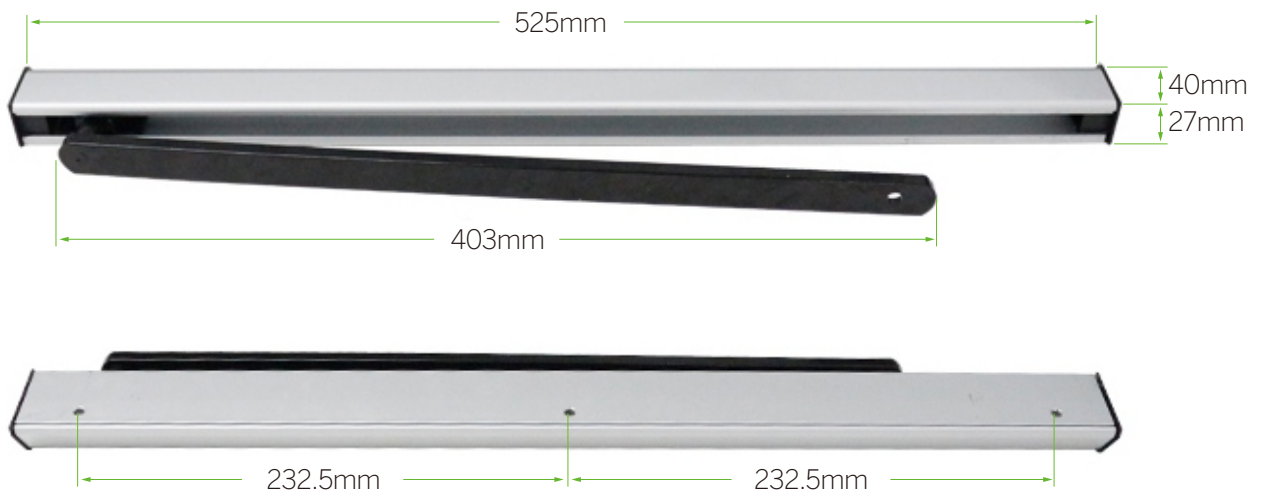


## Dimensions

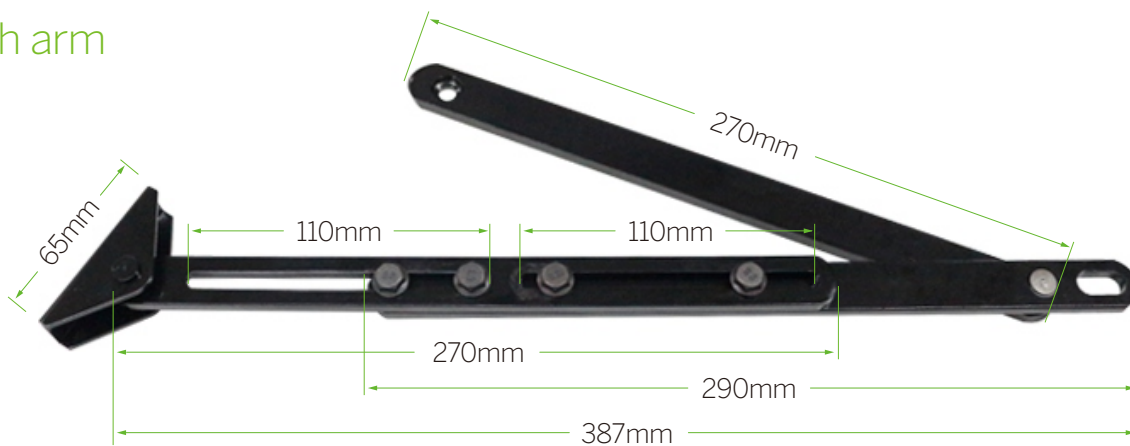
L516 x W82 x H105mm



## Pull arm



## Push arm



S4A Industrial Co., Limited

Address: The 2nd floor, Jinmin'an Industrial Zone, #529, Bulong Rd.  
Bantian St. Longgang Dist. Shenzhen, PRC.. CN 518131



Tel: +86 755 29450011

[www.s4a-access.com](http://www.s4a-access.com) / Email: [sales@s4a-access.com](mailto:sales@s4a-access.com)  
Mob/Whatsapp/Wechat/Viber: +86 134 1050 0721